

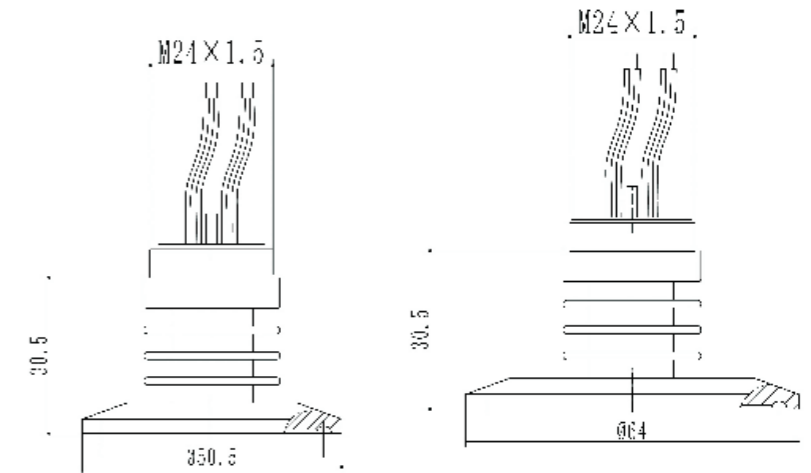
GS22 is piezoresistive silicon pressure sensor, the main element is a diffused silicon with high stability. The measured pressure is transferred from 316L stainless steel diaphragm to sensing element via silicon oil, utilizing the piezoresistance effect of diffused silicon to transfer pressure to voltage signal and fulfills pressure measurement. It is flush membrane configuration and easy to clean. It can be used



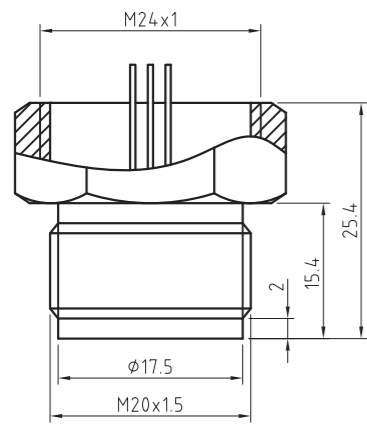
- Industrial process control
- Wastewater and environmental engineering
- Liquid pressure system and switch
- Food and the beverage industry

Features

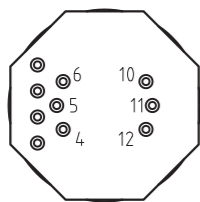
- piezoresistive pressure sensor
- flush membrane configuration
- pressure range: 0~35kPa...20MPa
- gas or dilute liquid compatible with 316LSS



Dimensions(in mm)



excitation=1.5mA Electrical connection



pin4 signal+ blue wire
pin5 excitation+ red wire
pin6 excitation- yellow wire
pin10 signal- green wire

Technical Specifications

test condition of data:25°C(77°F)

pressure range	0~10kPa...10MPa	
pressure type	gauge (G), absolute (A), sealed gauge (S)	
overpressure	200%FS	
zero output	±1mV	
output signal	100±10mV(typ.)	100±30mV(max.)
excitation	1.5mA	10Vdc(option)
accuracy	0.15%FS(typ.)	0.3%FS(max.)
long-term stability	0.2%FS/year	
temp.coefficient of zero	±0.5%FS@25°C(typ.)	±1%FS@25°C(max.)
temp.coefficient of span	±0.5%FS@25°C(typ.)	±1%FS@25°C(max.)
compensated temperature range	0~+70 °C	
operating temperature range	-20~+80 °C	
storage temperature range	-40~+125 °C	
Insulating resistance	100M @50Vdc	
input resistance	3000~6000	
output resistance	2500~6000	
electrical interface	(4F)4-color silicon rubber wires,option (6P)gold-plated kovar pins	
material of pressure membrane	316L stainless steel	
response time(10%~90%)	1ms	
shock	20gRMS,(20 500)Hz	
impact	100g,11ms	
net weight	~50g	

 Ordering code

GS22					OEM Pressure Sensor
	Code				Pressure range
	01				0...10kPa(G)
	02				0...35kPa(G)
	03				0...70kPa(G,A)
	04				0...100kPa(G,A)
	05				0...200kPa(G,A)
	06				0...350kPa(G,A)
	07				0...700kPa(G,A)
	08				0...1MPa(G,A)
	09				0...2MPa(G,A)
	10				0...3.5MPa(G,A,S)
	11				0...7MPa(S)
	12				0...10MPa(S)
	Code				Pressure type
	G				gauge
	S				sealed gauge
	A				absolute
	Code				Electrical interface
	4F				4-color silicon rubber wires
	6P				6 gold-plated kovar pins
		Code			Pressure interface
		1			M20x1.5(male)
		2			G1/2(male)
		3			customer's request
GS22	10	A	6P	2	Complete specification